

## Incandescent Work Lamps



### Features:

A range of four high quality incandescent work lights.

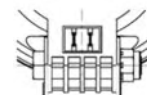
- Supplied without bulbs ready for your choice of 12V or 24V use
- Symmetric standard lenses
- Free form dye cast aluminium reflectors
- 30mm brackets – upright mount

### Materials:

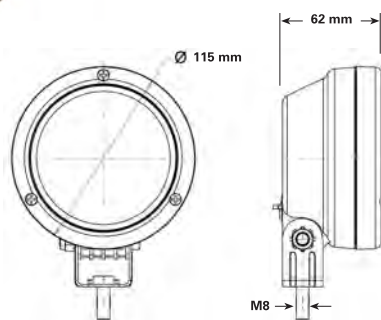
Fibreglass reinforced nylon housing, gold passivated carbon steel bracket.

Model	Part No.	Bulb 12V (not supplied)	Bulb 24V (not supplied)	Bulbs Required	Spade Connectors
Series 115	PW 115 SP	H3 12V 55W	H3 24V 70W	1	6.35mm (1/4")
Series 1010	PW 1010 SP	H3 12V 55W	H3 24V 70W	1	6.35mm (1/4")
Series 1014	PW 1014 SP	H3 12V 55W	H3 24V 70W	1	6.35mm (1/4")
Series 1117	PW 1117 SP	H3 12V 55W	H3 24V 70W	2	6.35mm (1/4")

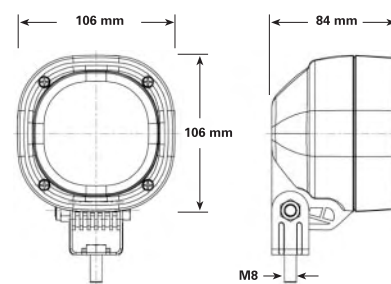
6.35mm spade  
connectors



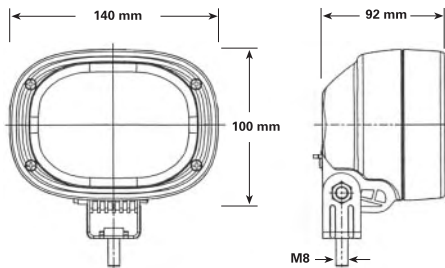
### Series 115



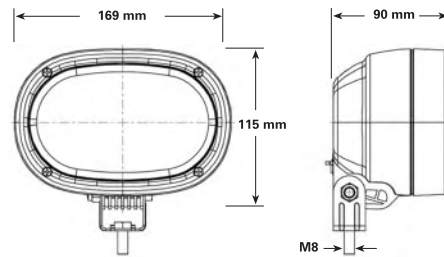
### Series 1010



**Series 1014**



**Series 1117 TWIN BULB**



**HID & LED Work Lamps**

*Available from first quarter 2009.*



**Features:**

A range of high quality HID & LED work lamps

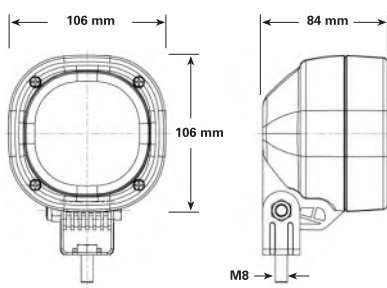
- Latest HID & LED technology
- 30mm brackets, upright mount
- 20,000 hours life (LED), 2,500 hours (HID)

**Materials:**

Fibreglass reinforced nylon housing, carbon steel bracket.

Type	Part No.	Voltage	Bulb (supplied)
<b>1010 HID</b>	PW 1010HID 12 DT	12V	35W Xenon
	PW 1010HID 24 DT	24V	35W Xenon
<b>4 LED</b>	PW 4LED DT	12/24V	4 x high power LED

**1010 HID**



**4 LED**

