

Hedgehog LED SQ1XMV/LED 360/24 and SQ1X12/LED 360/24



Lens Colour	20 – 100 Vdc	10 – 15 Vdc
Amber	424001	424011

SQ1XMV/LED 360/24	60 flashes/min	20–100Vdc	24mA	IP65	0.3kg
SQ1X12/LED 360/24	60 flashes/min	10–15Vdc	48mA	IP65	0.3kg

Features:

A bright low profile LED beacon.

- High intensity flash
- Ultra-low power consumption
- 3 year guarantee
- Weatherproof to IP65
- Can be installed lens upwards or inverted

Product options:

- Multivoltage 20 – 100 Vdc or 10 – 15 Vdc version
- Sounder plinth , fixes to base of beacon (see Husky product options)

Hedgehog Xenon SQ4XMV/2 360



Amber	Red
424095	424096

75 flashes/min	10–100Vdc 20–72Vac	145mA	40mA	IP65	0.3kg	

Features:

A bright, multivoltage low profile 2W Xenon beacon.

- Multivoltage 10 – 100 Vdc, 20 – 72 Vac
- Bright, intense Xenon flash
- Ultra-low power consumption
- 12 months' guarantee
- Weatherproof to IP65
- Can be installed lens upwards or inverted

Product options:

- Sounder plinth , fixes to base of beacon (see Husky product options)

Information common to both Hedgehog LED and Hedgehog Xenon beacons

CE – certified to EMC directive 89/336/EEC.

Complies with low voltage directive 2006/95/EC.

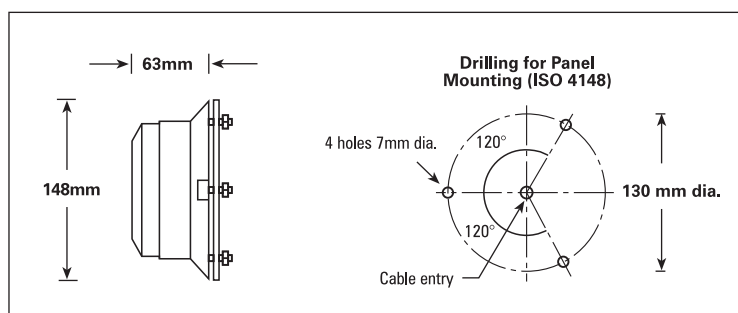
Operating temperature: –20°C to + 55°C (max 40°C above 80V).



Applications:

Suitable for fork lift trucks, industrial sweepers and battery powered vehicles.

Materials: Polycarbonate lens, ABS base.



See page 43 for accessories.